



High Power LED

Edixeon®

1W Edixeon® Emitter

| Approved By Customer | Designer | Checker | Approval |
|----------------------|----------|---------|----------|
| | | | |

Date : 2006/11/13

Version : 3.3

Device No. : 3-RD-01-E0001
EDISON OPTO CORPORATION
4F, No. 800, Chung-Cheng Rd,
Chung-Ho, Taipei 235, Taiwan
Tel: 886-2-8227-6996
Fax: 886-2-8227-6997
<http://www.edison-opto.com.tw>



1W Edixeon®



Edixeon® emitters are one of the highest flux LEDs in the world by Edison Opto. Edixeon® emitters are designed to satisfy more and more Solid-State lighting High Power LED applications for brilliant world such as flash light, indoor and outdoor decoration light. Edixeon® emitters are designed by particular package for High Power LED. 1W Edixeon® white has typical 55 lumens @350mA. Unlike most fluorescent sources, Edixeon contains no mercury and has more energy efficient than other incandescent light source.

Features

- Various colors
- More energy efficient than incandescent and most halogen lamps
- Low voltage operated
- Instant light
- Long operating life

Typical Applications

- Reading lights
- Portable flashlight
- Up-lighters and Down-lighters
- LCD Backlights
- General lighting
- Contour lights
- Ceiling lights
- Garden lighting
- Decoration lights
- Architectural lighting
- Beacon lights

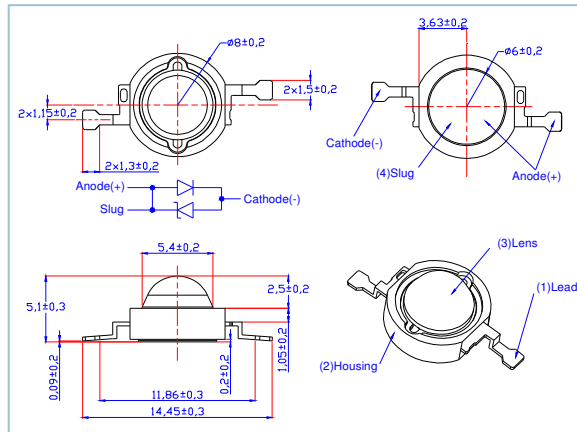
Edixeon Technology

- $T_{jmax} = 125^{\circ}\text{C}$
- High Lumen performance
- Low thermal resistance $15-18^{\circ}\text{C/W}$
- RoHS compliant
- Industrial best lumen maintenance — 50,000hrs life at I_{Fmax} with 70% lumen if T_j is lower than 70°C

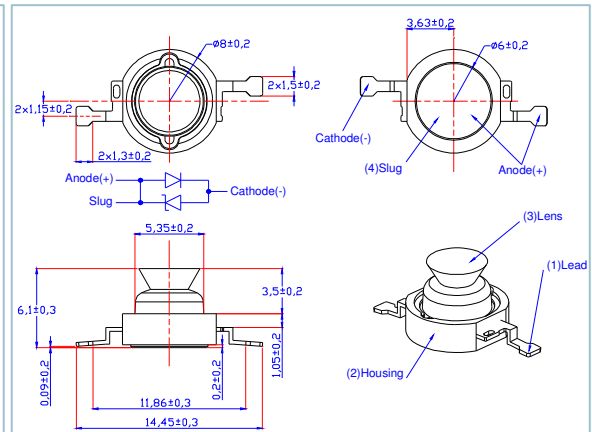


Package Outlines

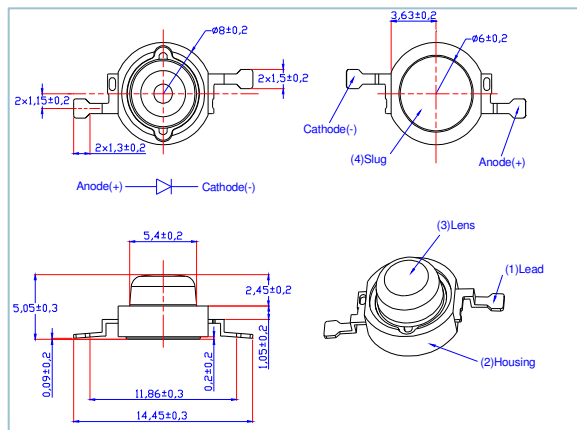
Lambertian



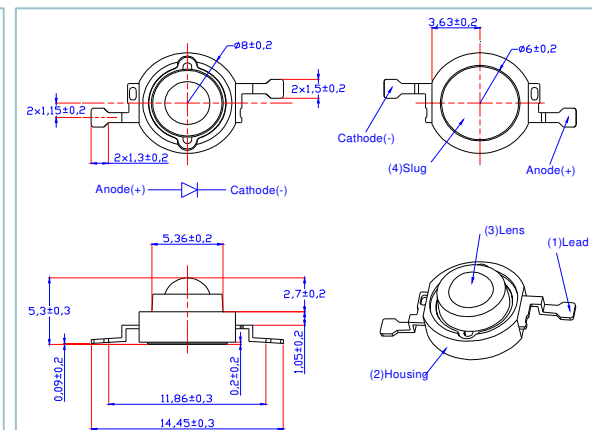
Side Emitting



Batwing



Focusing



Notes:

1. All dimensions are in mm.
2. Drawings are not to scale.
3. It is strongly recommended that the temperature of lead be not higher than 55°C .
4. Lambertian and side emitting series slug has polarity as anode.
5. It is important that the slug can't contact aluminum surface, It is strongly recommended that there should coat a uniform electrically isolated heat dissipation film on the aluminum surface.

Absolute Maximum Ratings

| Parameter | Symbol | Rating | Units |
|--|-------------|------------|---------|
| DC Forward Current | I_F | 350 | mA |
| Peak pulse current;(tp ≤ 100μs, Duty cycle=0.25) | I_{pulse} | 500 | mA |
| Reverse Voltage | V_R | 5 | V |
| Forward Contact Voltage | V_{FC} | 16 | V |
| LED junction Temperature | T_j | 125 | °C |
| Operating Temperature | T_{opr} | -30 ~ +110 | °C |
| Storage Temperature | T_{stg} | -40 ~ +120 | °C |
| ESD Sensitivity (Lambertian and Side emitting) | V_B | 4,000 | V |
| ESD Sensitivity (Batwing and Focusing) | V_B | 500 | V |
| Manual Soldering Time at 260°C (Max.) | T_{sol} | 5 | seconds |

Notes:

1. Proper current derating must be observed to maintain junction temperature below the maximum.
2. LEDs are not designed to be driven in reserve bias.

Luminous Flux & Radiometric Power^[1] Characteristics at I_F=350mA(T_J=25°C):

| Lens Item | Part Name | Color | Flux | | | Units |
|-------------------------------------|-----------|---------------------------|--------------|-------------|------|-------|
| | | | Min. | Typ. | Max. | |
| Lambertian Side Emitting | EDEW-1xA1 | White | 30.3 | 55.0 | -- | lm |
| | EDEW-1xA6 | White | 30.3 | 45.0 | -- | lm |
| | EDEW-1xA7 | White | 30.3 | 60.0 | -- | lm |
| | EDEX-1xAx | Warm White | 17.9 | 40.0 | -- | lm |
| | EDER-1xAx | Red | 23.3 | 45.0 | -- | lm |
| | EDEO-1xAx | Red Orange | 23.3 | 45.0 | -- | lm |
| | EDEA-1xAx | Amber | 23.3 | 40.0 | -- | lm |
| | EDET-1xAx | True Green | 30.3 | 60.0 | -- | lm |
| | EDEB-1xAx | Blue | 8.2 | 15.0 | -- | lm |
| | EDEC-1xAx | Royal Blue ^[1] | 113.9 | 220 | -- | mW |

| Lens Item | Part Name | Color | Flux | | | Units |
|-----------------------------|-----------|---------------------------|--------------|-------------|------|-------|
| | | | Min. | Typ. | Max. | |
| Batwing Focusing | EDEW-1xAx | White | 30.3 | 45.0 | -- | lm |
| | EDEX-1xAx | Warm White | 17.9 | 40.0 | -- | lm |
| | EDER-1xAx | Red | 23.3 | 40.0 | -- | lm |
| | EDEO-1xAx | Red Orange | 23.3 | 40.0 | -- | lm |
| | EDEA-1xAx | Amber | 23.3 | 38.0 | -- | lm |
| | EDET-1xAx | True Green | 30.3 | 50.0 | -- | lm |
| | EDEB-1xAx | Blue | 8.2 | 13.0 | -- | lm |
| | EDEC-1xAx | Royal Blue ^[1] | 113.9 | 200 | -- | mW |

Forward Voltage Characteristics at I_F=350mA(T_J=25°C):

| Lens Item | Part Name | Color | V _F | | | Units |
|--|-----------|------------|----------------|------|------------|-------|
| | | | Min. | Typ. | Max. | |
| Lambertian Side Emitting Batwing Focusing | EDEW-1xAx | White | 3.1 | -- | 4.0 | V |
| | EDEW-1xA6 | White | 3.1 | -- | 4.3 | V |
| | EDEW-1xA7 | White | 2.8 | -- | 3.7 | V |
| | EDEX-1xAx | Warm White | 2.8 | -- | 4.3 | V |
| | EDER-1xAx | Red | 2.0 | -- | 3.0 | V |
| | EDEO-1xAx | Red Orange | 2.0 | -- | 3.0 | V |
| | EDEA-1xAx | Amber | 2.0 | -- | 3.0 | V |
| | EDET-1xAx | True Green | 2.8 | -- | 4.0 | V |
| | EDEB-1xAx | Blue | 3.1 | -- | 4.3 | V |
| | EDEC-1xAx | Royal Blue | 3.1 | -- | 4.3 | V |

**Dominant Wavelength or Peak wavelength^[1] or Color Temperature
Characteristics at I_F=350mA(T_j=25°C):**

| Lens Item | Part Name | Color | λ _d /λ _p ^[1] /CCT | | | Units |
|--|-----------|---------------------------|--|------|--------------|-----------|
| | | | Min. | Typ. | Max. | |
| Lambertian Side Emitting Batwing Focusing | EDEW-1xAx | White | 4500 | -- | 10000 | <i>K</i> |
| | EDEX-1xAx | Warm White | 2800 | -- | 3800 | <i>K</i> |
| | EDER-1xAx | Red | 620 | -- | 630 | <i>nm</i> |
| | EDEO-1xAx | Red Orange | 610 | -- | 620 | <i>nm</i> |
| | EDEA-1xAx | Amber | 585 | -- | 595 | <i>nm</i> |
| | EDET-1xAx | True Green | 515 | -- | 535 | <i>nm</i> |
| | EDEB-1xAx | Blue | 460 | -- | 475 | <i>nm</i> |
| | EDEC-1xAx | Royal Blue ^[1] | 440 | -- | 460 | <i>nm</i> |

**Temperature Coefficient of Forward Voltage & Thermal Resistance Junction to Case
Characteristics at I_F=350mA(T_j=25°C) :**

| Lens Item | Part Name | Color | ΔV _F /ΔT | | Rθ _{J-B} | |
|--|-----------|------------|---------------------|--------------|-------------------|-------------|
| | | | Typ. | Units | Typ. | Units |
| Lambertian Side Emitting Batwing Focusing | EDEW-1xAx | White | -2 | <i>mV/°C</i> | 15 | <i>°C/W</i> |
| | EDEX-1xAx | Warm White | -2 | <i>mV/°C</i> | 15 | <i>°C/W</i> |
| | EDER-1xAx | Red | -2 | <i>mV/°C</i> | 18 | <i>°C/W</i> |
| | EDEO-1xAx | Red Orange | -2 | <i>mV/°C</i> | 18 | <i>°C/W</i> |
| | EDEA-1xAx | Amber | -2 | <i>mV/°C</i> | 18 | <i>°C/W</i> |
| | EDET-1xAx | True Green | -2 | <i>mV/°C</i> | 15 | <i>°C/W</i> |
| | EDEB-1xAx | Blue | -2 | <i>mV/°C</i> | 15 | <i>°C/W</i> |
| | EDEC-1xAx | Royal Blue | -2 | <i>mV/°C</i> | 15 | <i>°C/W</i> |

Emission Angle Characteristics at $I_F=350\text{mA}(T_j=25^\circ\text{C})$:

| Part Name | Color | $2\Theta_{1/2}(\text{Typ.})$ | | | Units |
|-----------|------------|------------------------------|------------|-----------|---------|
| | | Lambertian | Batwing | Focusing | |
| EDEW-1xAx | White | 130 | 110 | 80 | Degrees |
| EDEW-1LA6 | White | 130 | -- | -- | Degrees |
| EDEW-1LA7 | White | 120 | -- | -- | Degrees |
| EDEX-1xAx | Warm White | 130 | 110 | 80 | Degrees |
| EDER-1xAx | Red | 120 | 100 | 35 | Degrees |
| EDEO-1xAx | Red Orange | 120 | 100 | 35 | Degrees |
| EDEA-1xAx | Amber | 120 | 100 | 35 | Degrees |
| EDET-1xAx | True Green | 150 | 110 | 40 | Degrees |
| EDEB-1xAx | Blue | 150 | 110 | 40 | Degrees |
| EDEC-1xAx | Royal Blue | 150 | 110 | 40 | Degrees |

| Part Name | Color | $\Theta_{\text{PEAK}}(\text{Typ.})$ | | Units |
|-----------|------------|-------------------------------------|----------------------------|---------|
| | | Batwing | Side emitting | |
| EDEW-1xAx | White | ± 40 | ± 80 | Degrees |
| EDEW-1SA6 | White | -- | ± 80 | Degrees |
| EDEW-1SA7 | White | -- | ± 80 | Degrees |
| EDEX-1xAx | Warm White | ± 40 | ± 80 | Degrees |
| EDER-1xAx | Red | ± 35 | ± 80 | Degrees |
| EDEO-1xAx | Red Orange | ± 35 | ± 80 | Degrees |
| EDEA-1xAx | Amber | ± 35 | ± 80 | Degrees |
| EDET-1xAx | True Green | ± 40 | ± 80 | Degrees |
| EDEB-1xAx | Blue | ± 40 | ± 80 | Degrees |
| EDEC-1xAx | Royal Blue | ± 40 | ± 80 | Degrees |

Note

1. Flux is measured with an accuracy of $\pm 10\%$.
2. CCT selection acc. to CCT groups and an accuracy of $\pm 200\text{K}$
3. Forward Voltage is measured with an accuracy of $\pm 0.1\text{V}$
4. Wavelength is measured with an accuracy of $\pm 0.5\text{nm}$
5. All white 、 warm white 、 True green and blue emitters are built with InGaN
6. All red 、 red-orange and amber emitters are built with AlGaInP

JEDEC Moisture Sensitivity:

| Level | Floor Life | | Soak Requirements | | | |
|----------|----------------|---------------------------|--------------------------|----------------------|---|----------------------|
| | Time | Conditions | Standard Time (hours) | Conditions | Accelerated Environment Time (hours) | Conditions |
| 4 | 72hours | ≤30°C / 60% RH | 96 +2/-0 | 30°C / 60% RH | 20 +0.5/-0 | 60°C / 60% RH |

| LEVEL | FLOOR LIFE | | SOAK REQUIREMENTS | | | |
|-------|------------------------|--------------|---------------------------|-------------|-------------------------------------|-------------|
| | | | STANDARD | | ACCELERATED EQUIVALENT ¹ | |
| | TIME | CONDITIONS | TIME (hours) | CONDITIONS | TIME (hours) | CONDITIONS |
| 1 | Unlimited | ≤30°C/85% RH | 168 +5/-0 | 85°C/85% RH | | |
| 2 | 1 year | ≤30°C/80% RH | 168 +5/-0 | 85°C/80% RH | | |
| 2a | 4 weeks | ≤30°C/80% RH | 696 ² +5/-0 | 30°C/80% RH | 120 +1/-0 | 60°C/80% RH |
| 3 | 168 hours | ≤30°C/80% RH | 192 ² +5/-0 | 30°C/80% RH | 40 +1/-0 | 60°C/80% RH |
| 4 | 72 hours | ≤30°C/80% RH | 96 ² +2/-0 | 30°C/80% RH | 20 +0.5/-0 | 60°C/80% RH |
| 5 | 48 hours | ≤30°C/80% RH | 72 ² +2/-0 | 30°C/80% RH | 15 +0.5/-0 | 60°C/80% RH |
| 5a | 24 hours | ≤30°C/80% RH | 48 ² +2/-0 | 30°C/80% RH | 10 +0.5/-0 | 60°C/80% RH |
| 6 | Time on Label (TOL) | ≤30°C/80% RH | TOL | 30°C/80% RH | | |

Note

1. The standard soak time includes a default value of 24 hours for semiconductor manufacturer's exposure time (MET) between bake and bag and includes the maximum time allowed out of the bag at the distributor's facility.

Operating life, mechanical, and environmental tests performed on Edixeon[®] package:

| Stress Test | Stress Conditions | Stress Duration | Failure Criteria |
|---------------------------------|--|-----------------|-------------------------|
| Room Temperature Operating Life | 25°C, I _F = max DC (Note 1) | 1000 hours | Note 2 |
| High Temperature High Humidity | 85°C / 85%RH | 1000 hours | Note 2 |
| Temperature Cycle | -40°C/100°C ,30 min dwell / <5min transfer | 200 cycles | Note 2 |
| High Temperature Storage Life | 110°C | 1000 hours | Note 2 |
| Low Temperature Storage Life | -55°C | 1000 hours | Note 2 |
| Thermal Shock | -40 / 120°C, 20 min dwell / <20 sec transfer | 200 cycles | No catastrophics |
| Mechanical Shock | 1500 G, 0.5 msec pulse, 5 shocks each 6 axis | | No catastrophics |
| Natural Drop | On concrete from 1.2 m, 3X | | No catastrophics |
| Variable Vibration Frequency | 10-2000-10 Hz, log or linear sweep rate, 20 G about 1 min, 1.5 mm, 3X/axis | | No catastrophics |
| Solder Heat Resistance (SHR) | 260°C ± 5°C, 10 sec | | No catastrophics |
| Solderability | Steam age for 16 hr, then solder dip at 260°C for 5 sec | | Solder coverage on lead |

Note

1. Depending on the maximum derating curve.
2. Failure Criteria:

Electrical failures

V_F shift >=10%

I_R<50uA @V_r=5V

Light Output Degradation

% I_v shift >= 30% @1,000hrs or 200cycle

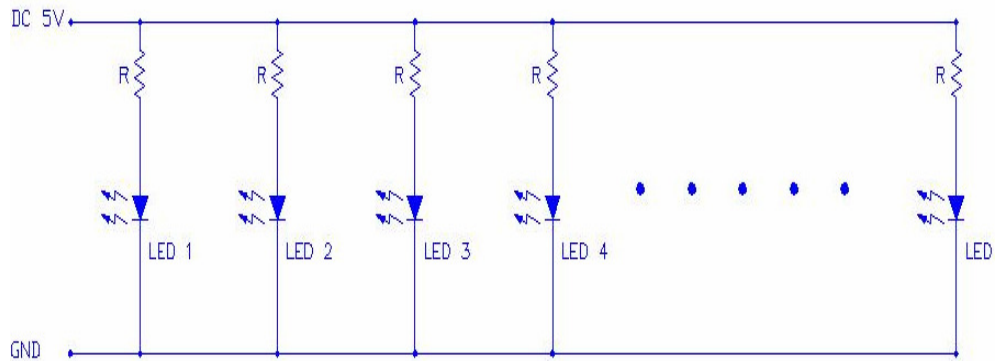
Visual failures

Broken or damaged package or lead

Solderability < 95% wetting

Dimension out of tolerance

Burn-in Condition Edixeon® Reliability



When we talk about MTBF of Edixeon®, we can provide a formula for customers.

$$\log(\text{Life}) = \frac{1,600}{T_j(^{\circ}\text{C}) + 273}$$

Life means the time light output becomes 70%

| T _j (°C) | Life (hours) | T _j (°C) | Life (hours) |
|---------------------|--------------|---------------------|--------------|
| 25 | 234,000 | 85 | 29,500 |
| 30 | 191,000 | 90 | 25,700 |
| 35 | 157,000 | 95 | 22,300 |
| 40 | 129,000 | 100 | 19,500 |
| 45 | 107,000 | 105 | 17,100 |
| 50 | 90,000 | 110 | 15,100 |
| 55 | 75,000 | 115 | 13,300 |
| 60 | 64,000 | 120 | 11,700 |
| 65 | 54,000 | 125 | 10,500 |
| 70 | 46,000 | 130 | 9,300 |
| 75 | 39,600 | 140 | 7,500 |
| 80 | 34,000 | 150 | 6,000 |

When we talk about MTTF of Edixeon[®], we can provide a formula for customers_
 MTTF is assumed to be 100,000,000

The failure rates at different hours and different systems(LED quantity) are as below:

if there is 1 failure of 1 emitter in a system

Tj=75°C is giving 0.01%(100ppm) at 10,000hrs

if there is 1 failure of 10 emitters in a system

Tj=75°C is giving 0.1%(1,000ppm) at 10,000hrs

if there is 1 failure of 1 emitter in a system

Tj=75°C is giving 0.05%(500ppm) at 50,000hrs

if there is 1 failure of 10 emitters in a system

Tj=75°C is giving 0.5%(5,000ppm) at 50,000hrs if there are 10 emitters

How to Know Tj in Your Application?

If it is white Edixeon[®], Rth(junction to case)=15°C/W

The thermal grease is 200um.

K(Aluminum PCB)=2.6 W/mk

$$\text{Then Rth(case to board)} = \frac{200}{2.6 \times (6.4/2)^2 \pi} = 2.4 \text{ } ^\circ\text{C/W}$$

The Rth between board and air is mainly dependent on the total surface air.

$$\text{Rth(board-air)} \doteq \frac{500}{\text{Area(cm}^2\text{)}}$$

If Area is 30cm² Rth=16.7 ΔT(junction-air)=(15+2.4+16.7)x1=34.1 °C

If Area is 60cm² Rth=8.3 ΔT(junction-air)=(15+2.4+8.3)x1=25.7 °C

If Area is 90cm² Rth=5.5 ΔT(junction-air)=(15+2.4+5.5)x1=22.9 °C

ASSIST FORM about High Power LED Reliability(White Edixeon)

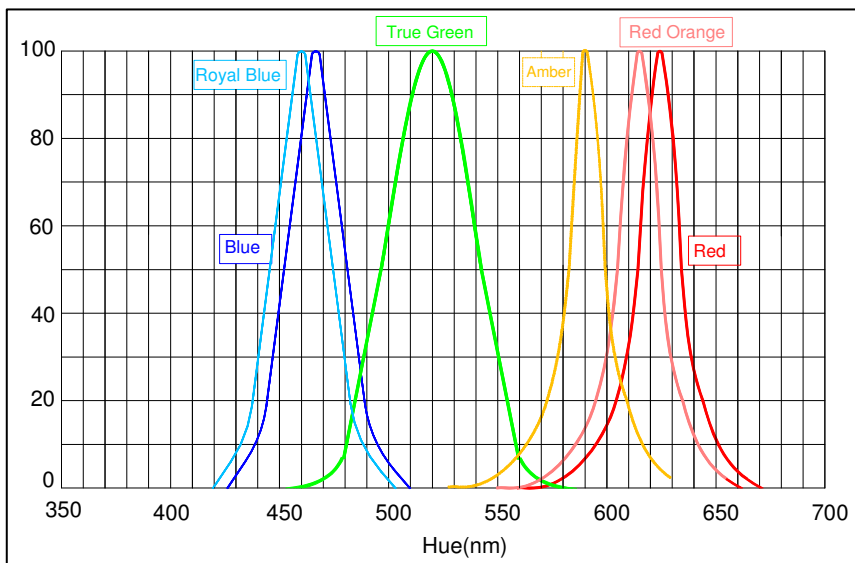
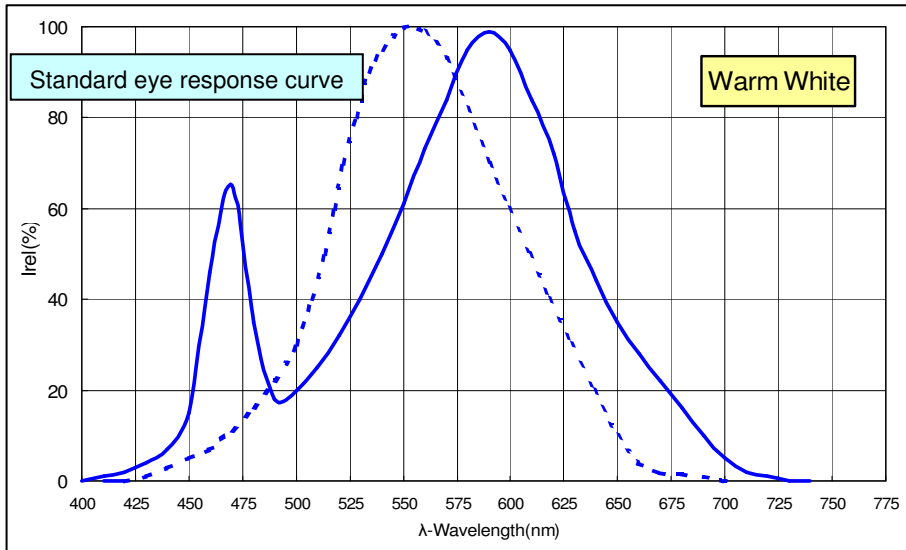
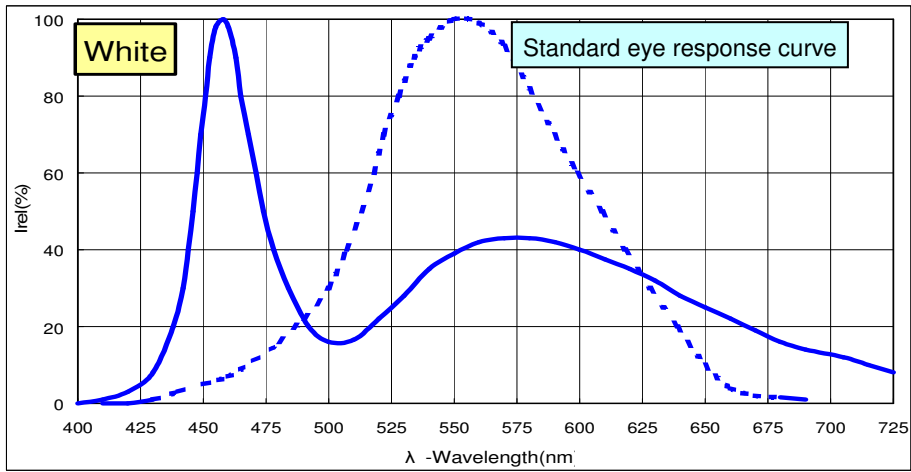
| | <u>Ts=45°C</u> | <u>Ts=65°C</u> | <u>Ts=85°C</u> |
|------------------------|----------------|----------------|----------------|
| Voltage | 3.5V | 3.5V | 3.5V |
| Current | 350mA | 350mA | 350mA |
| Wattage | 1.2W | 1.2W | 1.2W |
| Heat | 1.0W | 1.0W | 1.0W |
| Rth | 15 °C/W | 15 °C/W | 15 °C/W |
| Tj | 60 °C | 80 °C | 100 °C |
| L_{70%} | 64,000hrs | 34,000hrs | 19,500hrs |

ESD Sensitivity test:

| | |
|---------------------------|---|
| Part No. | <u>EDEX-1xAx</u> |
| Test Quantity | <i>Each 10 pcs</i> |
| Test Item | <i>ESD-HBM</i> |
| Test Method | <i>MIL-STD-883E Method 3015.7</i> |
| Class I | <i>0V ~ 1,999V</i> |
| Class II | <i>2,000V ~ 3,999V</i> |
| Class III | <i>4,000V ~ to above</i> |
| Failure Criteria | <i>IR>5 μA@VR=5V</i> |
| Test Voltage | <i>-100 ~ -500V ,Step: -100V -500 ~ -8,000V ,Step: -500V</i> |
| Test Date | <i>18-Mar-05</i> |
| Test Equipment | <i>Keytek Zapmaster</i> |
| Test Environmental | <i>25$^{\circ}$C\pm5$^{\circ}$C,55%\pm10%RH</i> |

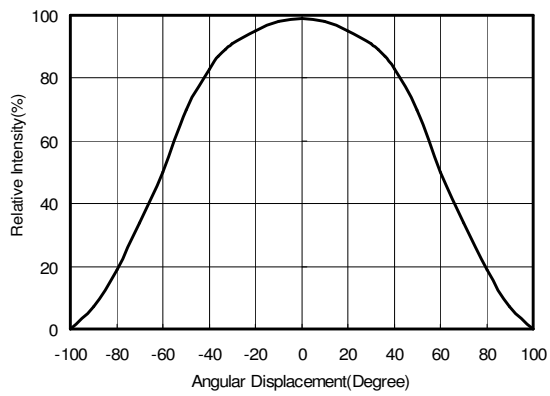
| Sample | Voltage(V) | | MIL-STD |
|---------------|-------------|----------------|------------------|
| | Forward | Reverse | |
| Lambertian | <i>Pass</i> | <i>Pass</i> | Class III |
| Side emitting | <i>Pass</i> | <i>Pass</i> | Class III |
| Batwing | <i>Pass</i> | <i>>500</i> | -- |
| Focusing | <i>Pass</i> | <i>>500</i> | -- |

Electrical & Optical Curves-Spectrum

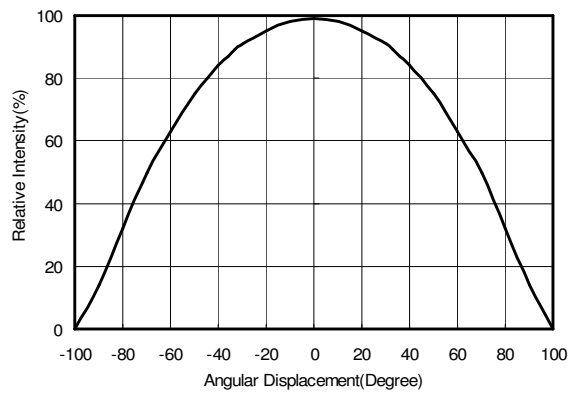


Typical Radiation Pattern for

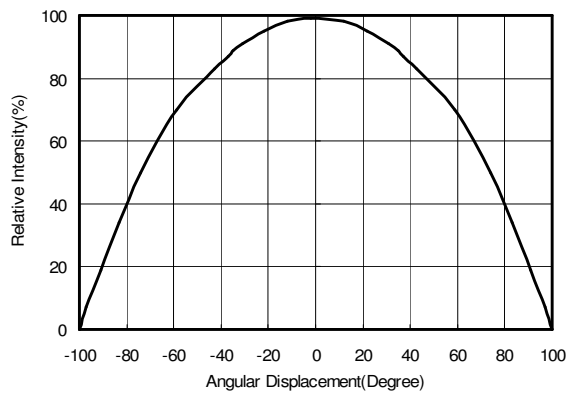
Lambertian



for Red 、Amber 、Red Orange 、EDEW-1LA7

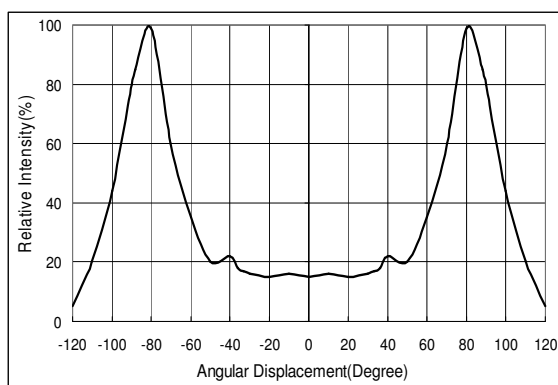


for White 、Warm white

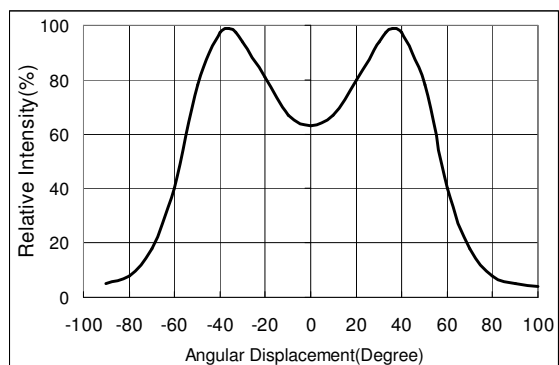


for Blue 、Royal Blue 、True Green

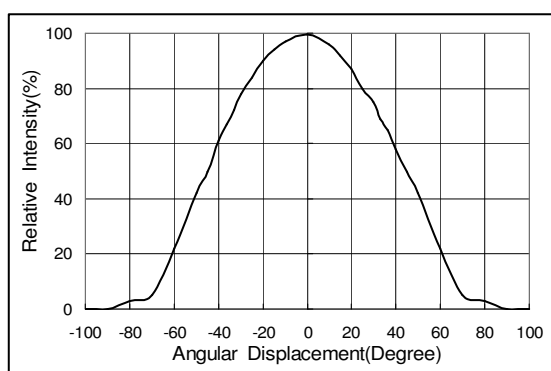
Side Emitting (for all colors)



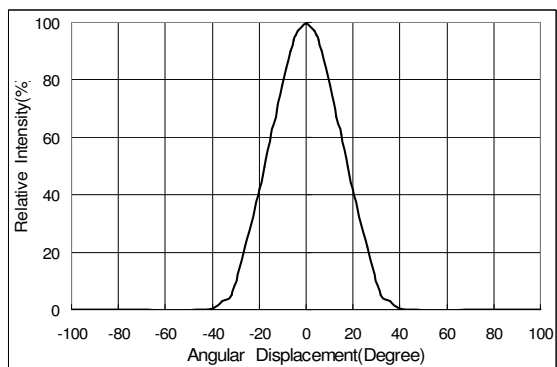
Batwing (for all colors)



Focusing



for White 、 Warm White



for Blue 、 Royal Blue 、 True Green
Red 、 Red Orange 、 Amber

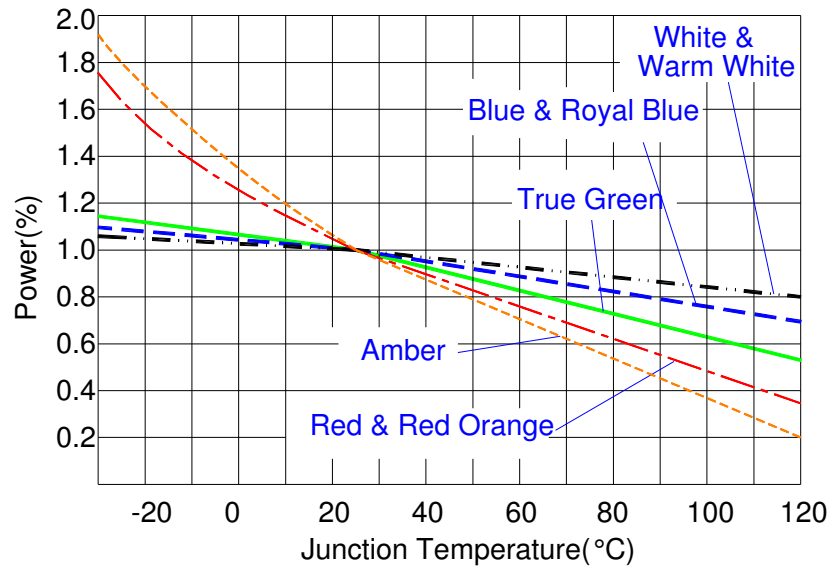
Available Ray Data List

| 1W Edixeon | Provide Ray source file type | Red | Blue | True Green | White |
|---------------|------------------------------|-----|------|------------|-------|
| Lambertian | From ASAP (*.DIS) | ☉ | △ | △ | △ |
| | From Trace Pro (*.DAT) | ☉ | ☉ | ☉ | ☉ |
| | From Radiant Image (*.RSM) | ☉ | △ | △ | △ |
| Batwing | From ASAP (*.DIS) | ☉ | ☉ | △ | △ |
| | From Trace Pro (*.DAT) | ☉ | ☉ | ☉ | ☉ |
| | From Radiant Image (*.RSM) | △ | △ | △ | △ |
| Side emitting | From ASAP (*.DIS) | △ | △ | △ | △ |
| | From Trace Pro (*.DAT) | ☉ | ☉ | ☉ | ☉ |
| | From Radiant Image (*.RSM) | △ | △ | △ | △ |
| Focusing | From ASAP (*.DIS) | △ | △ | △ | △ |
| | From Trace Pro (*.DAT) | △ | △ | △ | △ |
| | From Radiant Image (*.RSM) | △ | △ | △ | △ |

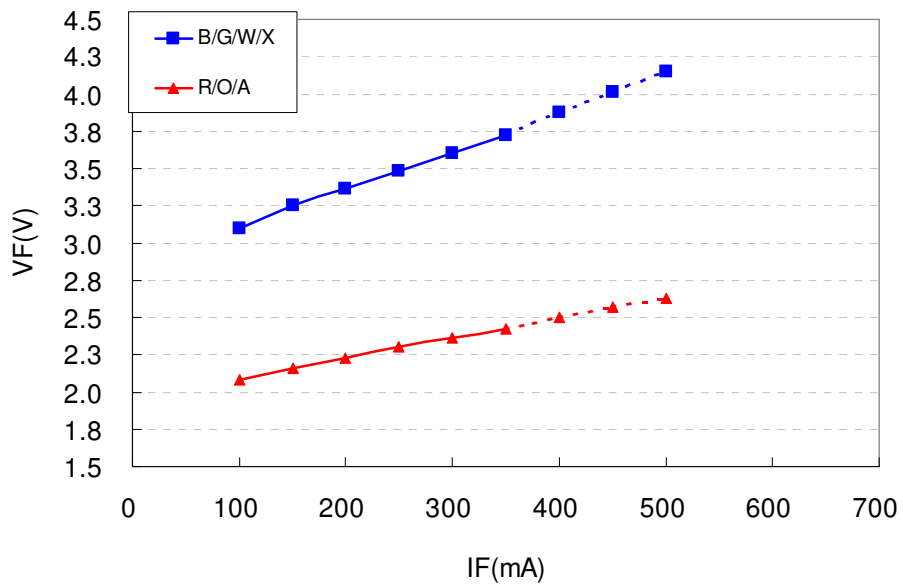
Note:

1. “☉” → Ready
2. “△” → Not ready

Typical Optical and Electrical Curves

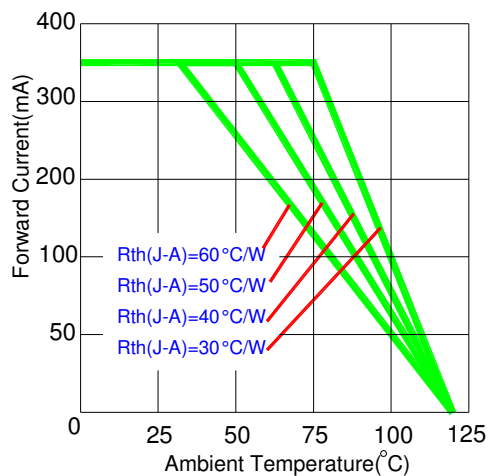


Junction Temperature & Forward Voltage

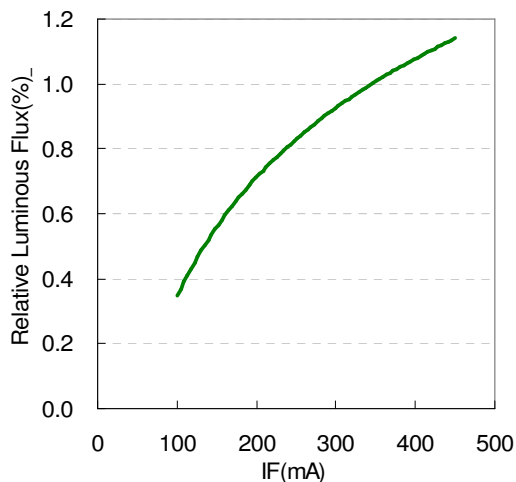


Operating Current & Forward Voltage

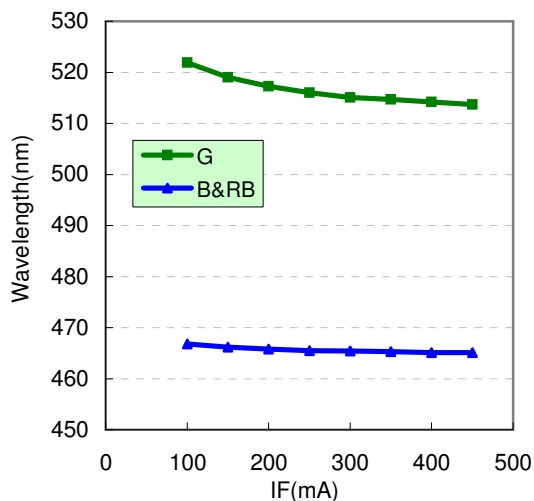
Typical Optical and Electrical Curves



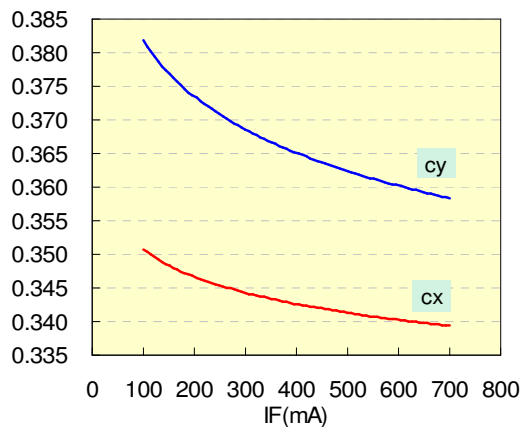
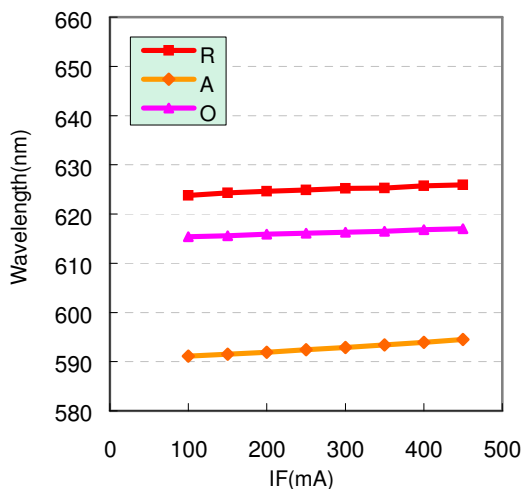
Operating Current & Ambient Temperature



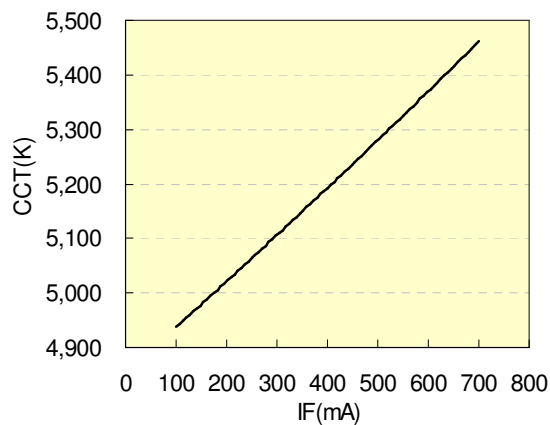
Forward Current & Luminous Flux



Forward Current & Wavelength

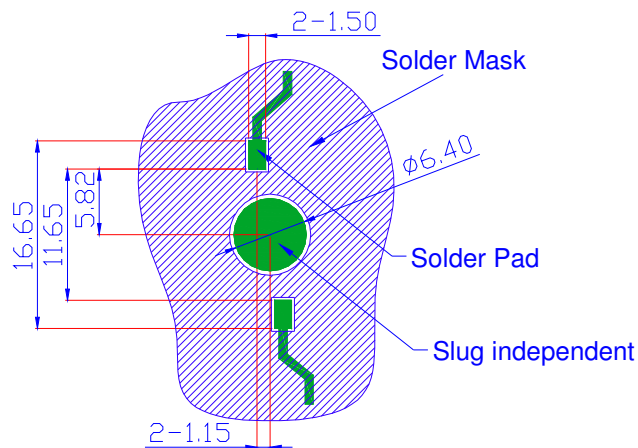


Forward Current & chromaticity coordinate



Forward Current & CCT

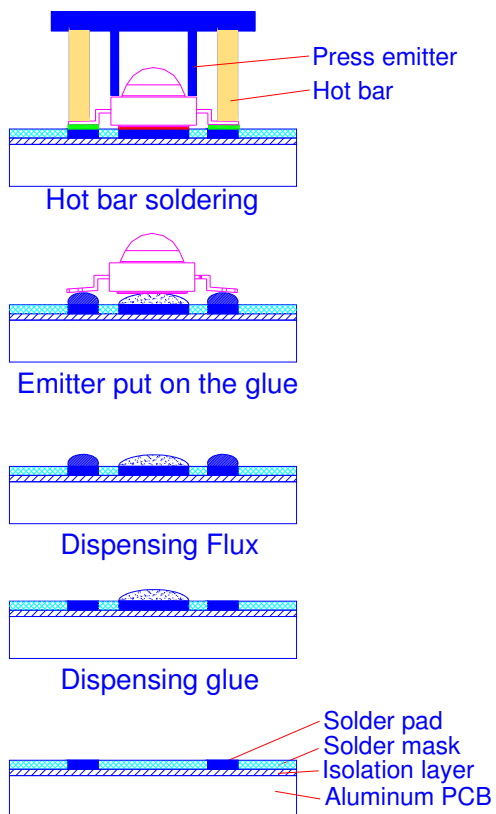
Recommended Solder Pad Design



Note:

1. All dimensions are in mm.
2. The drawings are not to scale
3. Solder pad can't be connected to slug.

Recommend Solder Steps



Notes:

1. Aluminum PCB material with a thermal conductivity greater than 2.0 W/mK.
2. Solder pad can't be connected to slug.
3. The Thermal glue should be as thin as possible for better heat conductivity.
4. During any assembly process touching lens is avoided. This will cause pollution or scratch on the surface of lens.
5. Thermal glue with a thermal conductivity greater than 1.0 W/mK and the thickness must be less than 100 μ m.

Adhesive for Emitter to Aluminum PCB

Suggestion:

- **Ease of use**
 - Non-solvent, One-part
- **Fast tack free**
 - 3 minutes at 25°C
- **No corrosion**
 - Alcohol type of RTV
- **Low volatility**
 - Low weight loss of silicone volatiles
- **Adhesion**
 - Excellent adhesion to most materials without use of a primer
- **Dielectric properties**
 - Cured rubber exhibits good dielectric properties
- **Excellent thermal stability and cold resistance**
 - Cured rubber provides wide service temperature range

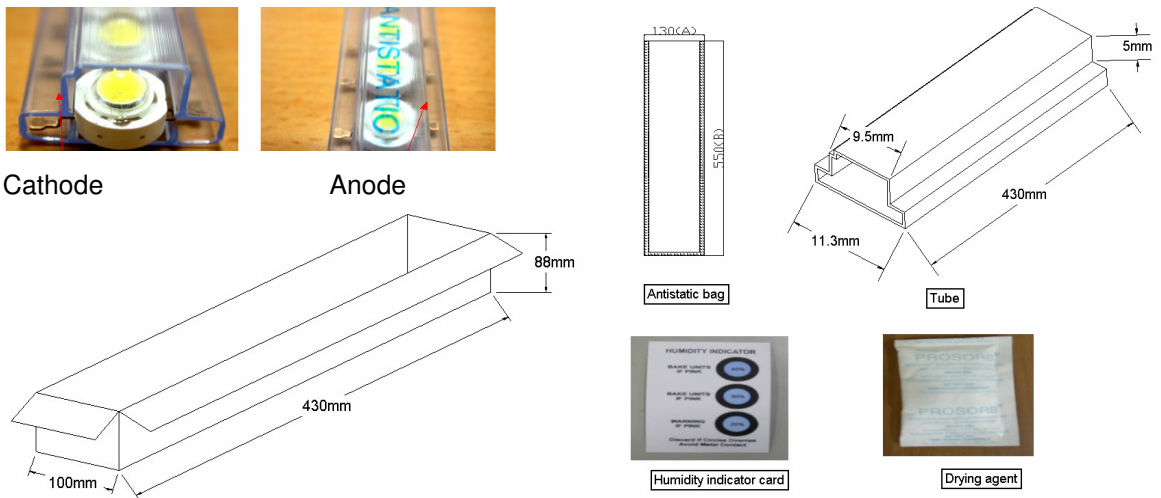
Typical Properties

| Specification | Suggested Properties |
|-----------------------------|--------------------------|
| Take-free time | 3~10 minutes |
| Specific gravity | < 3 g/cm ² |
| Thermal conductivity | > 2.5 W/mK |
| Rth in using | < 1.8 °C/W |
| Volume resistance | > 1x10 ¹⁴ |
| Lap shear adhesion strength | > 200 N/ cm ² |
| Tensile strength | > 4 Mpa |

Thrust for Edixeon Lens

| Lens Type | Typical Thrust |
|--------------------|----------------|
| Lambertian Lens | 5 kgf |
| Batwing Lens | 2 kgf |
| Side Emitting Lens | 2 kgf |
| Focusing Lens | 2 kgf |

Package Specifications



Notes

1. Inner antistatic bag standard.
2. A bag contains one humidity indicator card and drying agent.
3. 50pcs emitters per tube.
4. 20 tubes per bag, 1 K pcs per bag.
5. 2 bags per inner box, 2 K pcs per inner box.

| Packing Step | Type | Dimension(mm) | Emitter Q'ty(Max.) |
|--------------|-----------|---------------|--------------------|
| 1 | Tube | 430*13 | 50 |
| 2 | Inner Box | 430*100*88 | 1,000 |
| 3 | Outer Box | 460*196*135 | 2,000 |